

Interpersonal Valence on Borderline Rage

Meghri L. Sarkissian, Sindes Dawood,
Hans S. Schroder, & Matthew M. Yalch

INTRO

- Uncontrollable rage is a core feature of borderline personality disorder.
- The expression of borderline rage may differ depending on gender.
- Namely, men's rage may appear primarily aggressive whereas women's may appear primarily cold.
- One way of examining this is via the interpersonal circumplex (IPC).
- The IPC plots behavior in terms of warmth (vs. coldness) and dominance (vs. submissiveness).
- Within this lens, borderline rage should generally project as cold dominant, with men having more dominant projections than women.
- We examined this in our study.

METHODS

- Participants: 983 young adults enrolled at a large public university.
- Measures: Rage subscale of BPQ, IIP-SC
- We examined interpersonal projections using the *circumplex* package in R.

RESULTS

- In general, borderline rage projected as cold and dominant on the IPC (see Figure 1).
- The projection was cold-dominant for women and primarily dominant for men (see Figure 2).

DISCUSSION

- Findings are generally consistent with hypotheses.
- However, whereas borderline rage manifests as more purely aggressive for women, it appears more *domineering* for men.
- This may be due in part to societal norms in that men are encouraged and women discouraged from expressing their anger.
- Consequently, anger may be viewed as dominant for men but aggressive for women.

Borderline rage is generally cold and dominant, but comes off as colder for women.



Figure 1
IPC Projection of Borderline Rage

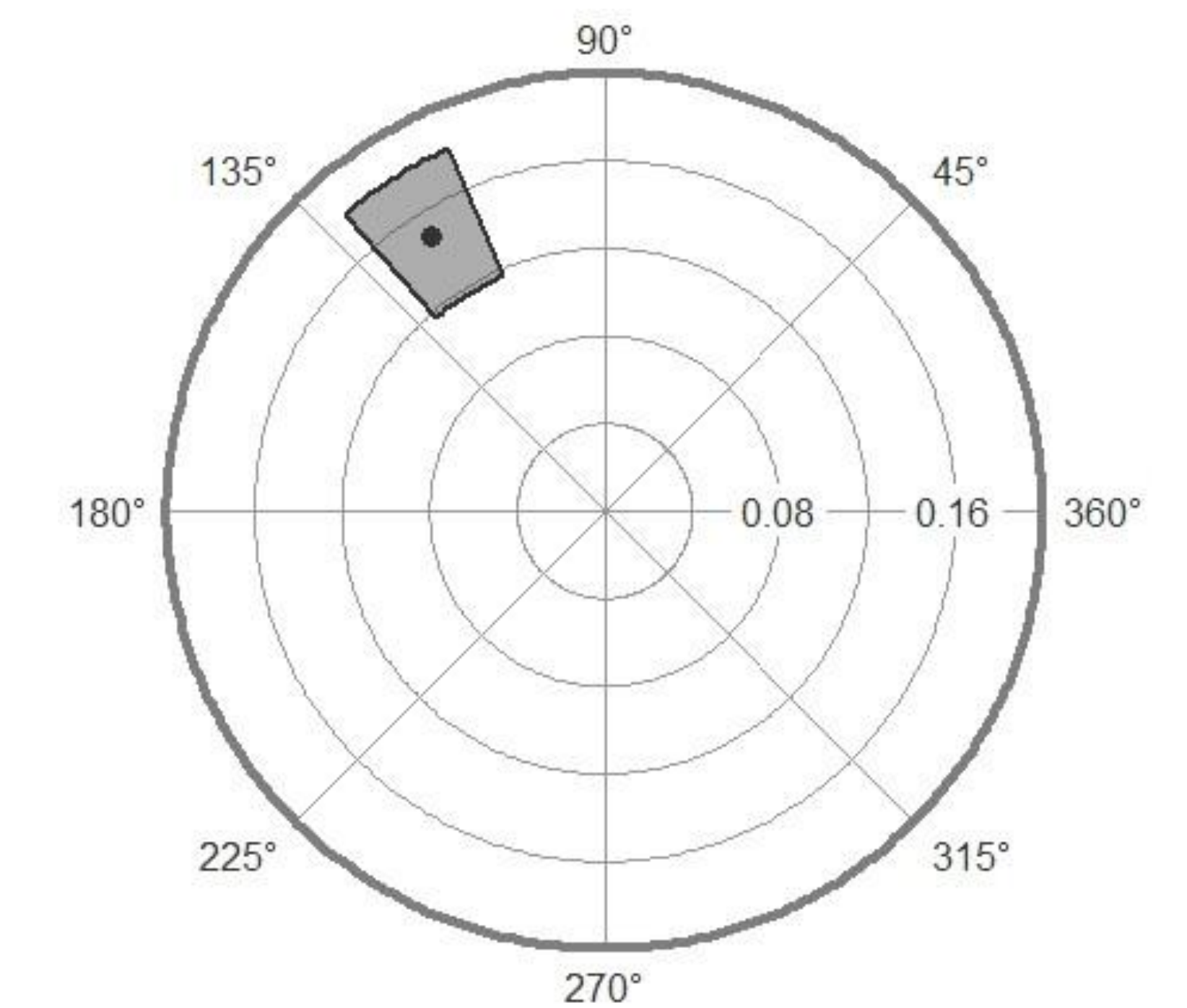


Figure 2
Sex Differences in IPC Projection of Borderline Rage

